



SPECIFICATIONS

MATERIAL:
European Oak
(*Quercus robur*)

ENVIRONMENTAL:
100% FSC Certified

FINISH:
Hand Waxed,
Nitrocellulose

COLORS:



Hand Waxed



Ebonized & Limed



Pickled White

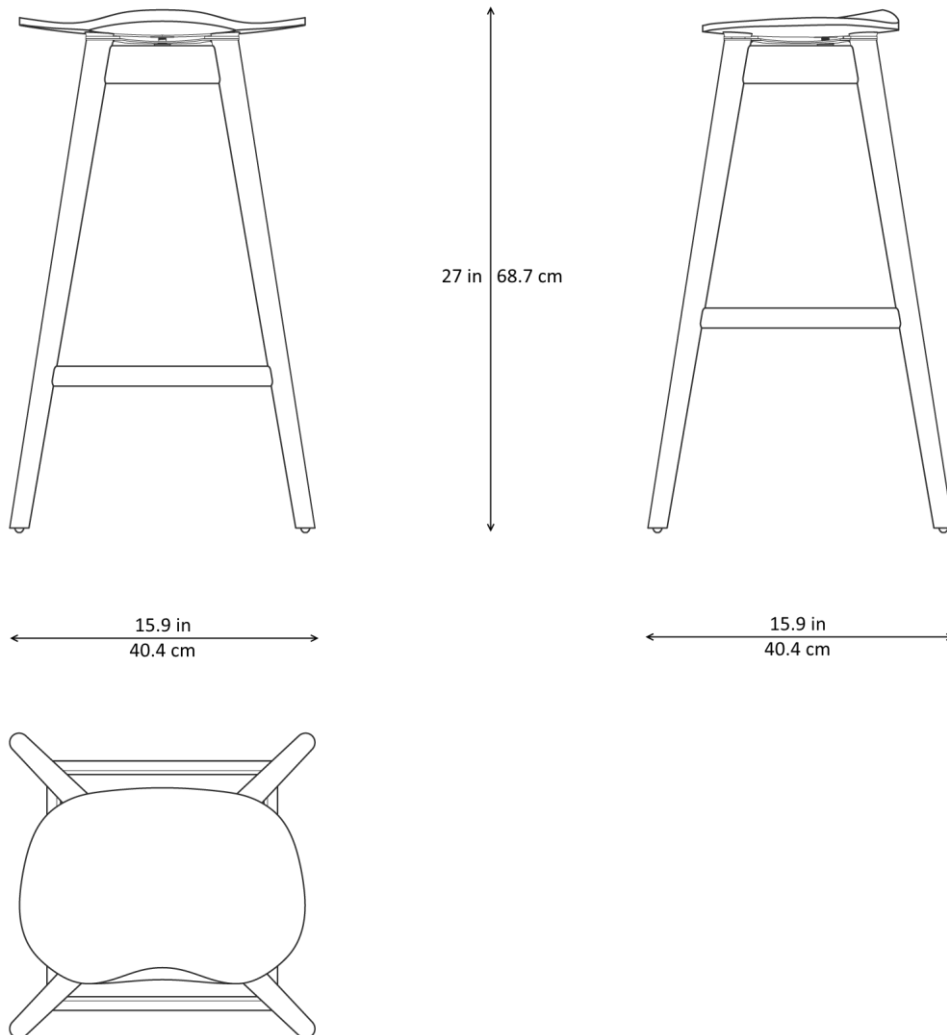
2.Design Pty. Ltd.
ABN 91 608 579 175

181 Bay Street, Brighton
Victoria 3186 Australia

info@tractorstool.com
+61 (0) 408 941 573



DIMENSIONS:



WEIGHT:

15.4 lbs / 7 kg

